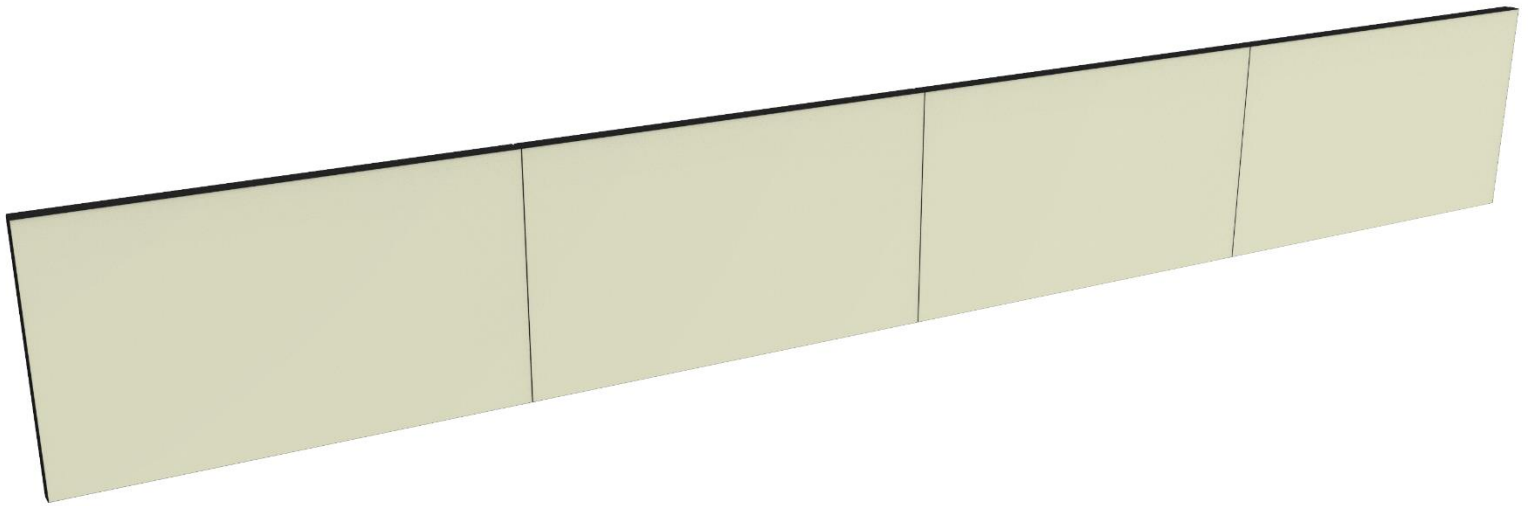




## 4x1 55 Inch Super Narrow Bezel Landscape Video Wall



### **Model: NBL41V-550L-310-GOB, Landscape**

- ✓ 1.8mm Thin Bezels
- ✓ High Resolution Displays
- ✓ Commercial Landscape Mount Solution
- ✓ Remote Hardware Monitoring Module
- ✓ Lightweight Aluminum Back Panel
- ✓ Compliance: UL60625 Certified
- ✓ Front Protective Glass

# Proprietary Notice

The information disclosed herein contains proprietary rights of Nanov Display, Inc. (Nanov) and is confidential. Neither this document nor the information disclosed herein shall be reproduced or transferred to other documents. Nor shall the information be used or disclosed to others for manufacturing or any other purposes except as specifically authorized in writing by Nanov.

Copyright© 2022 Nanov Display, Inc. All rights reserved.

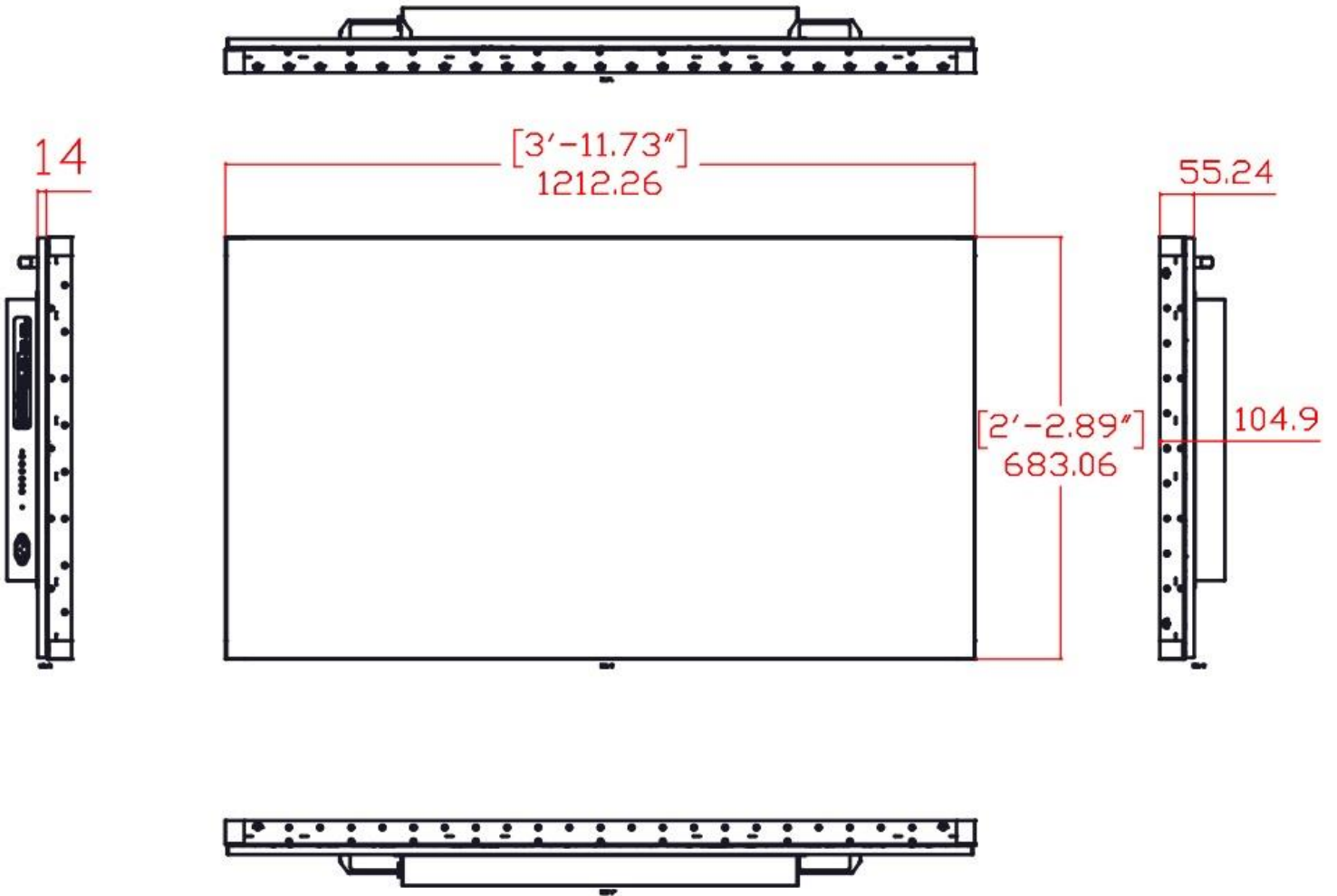
## Screen

Parameters	Specifications
Video Orientation	Landscape
Screen Active Area (H x V)	1209.6mm x 680.4mm (3.97ft x 2.23ft)
Panel Dimensions (H x W)	1212.2mm x 683mm (3.98ft x 2.24ft)
Resolution (H x V)	1920 x 1080 Pixels
Bezel Size	1.8mm
Color	10-bit
Weight	15.2kg (33.51lbs)
Display Operating Mode	Transmissive Mode, Normally Black
Viewing Angle	89 Degrees
On Screen Display (OSD)	English (Default)
Response Time	12 ms

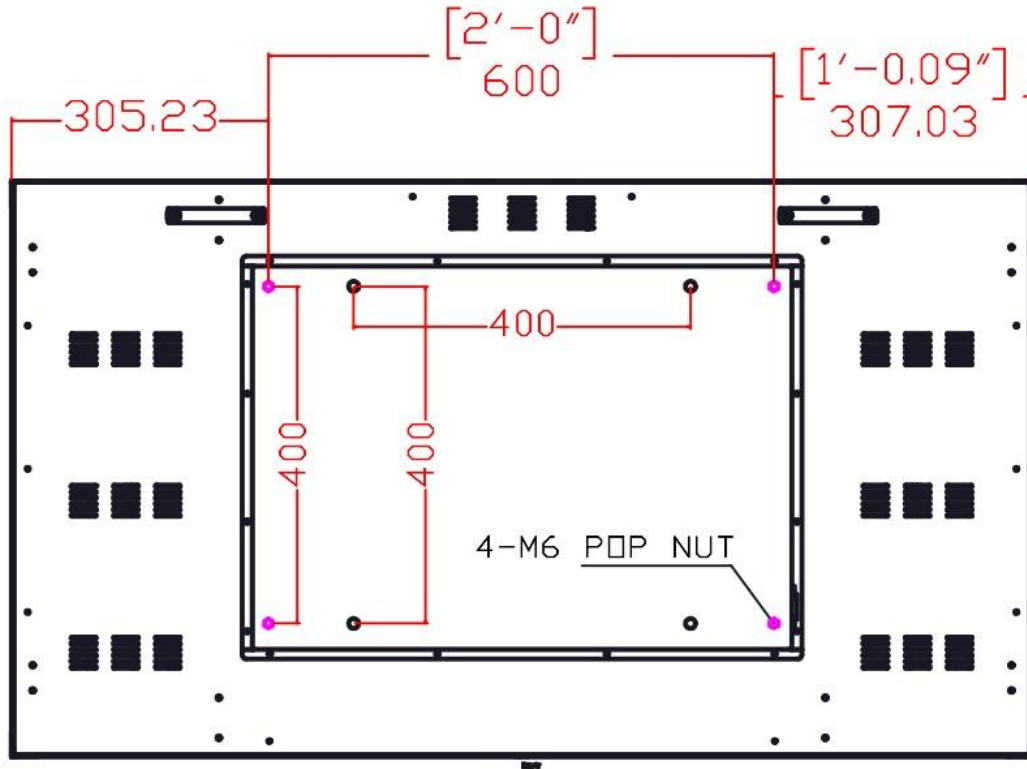
## Video Wall Mount

Parameters	Specifications
Dimensions (H x W x D)	542mm x 620mm x 78mm
VESA Compatibility	Up to 600 x 400
Max Load	35kg (77.16lbs)
Material	Aluminum
Weight	12.5kg (27.56lbs)

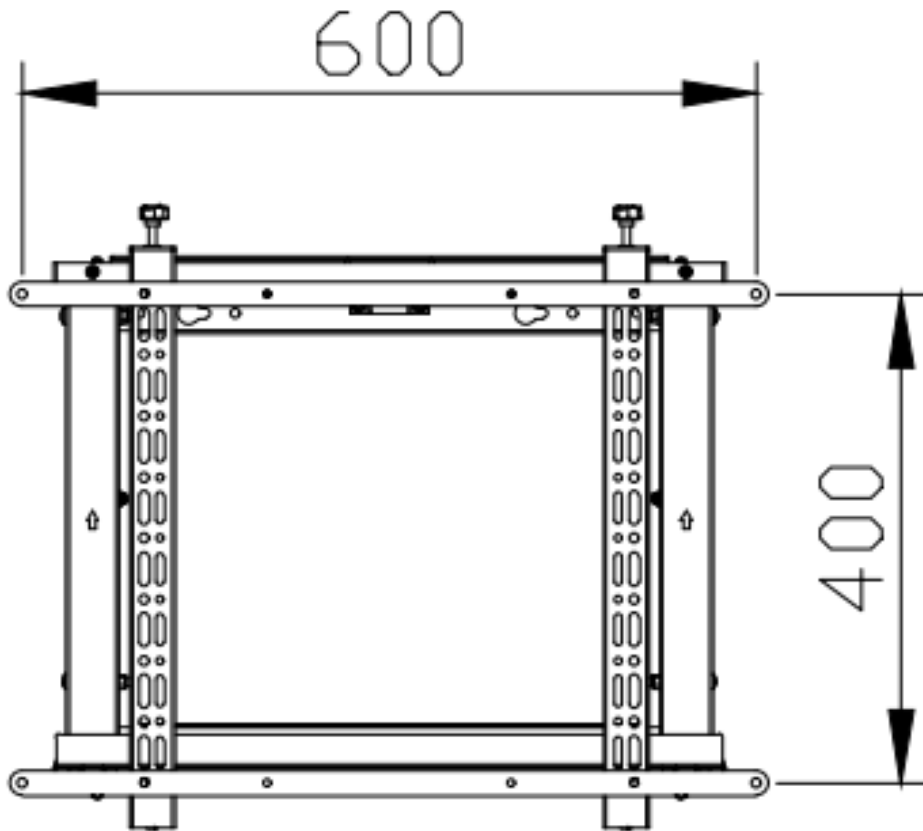
# Physical Dimensions



Digital Information Display Landscape Model Front, Panel in mm/ft

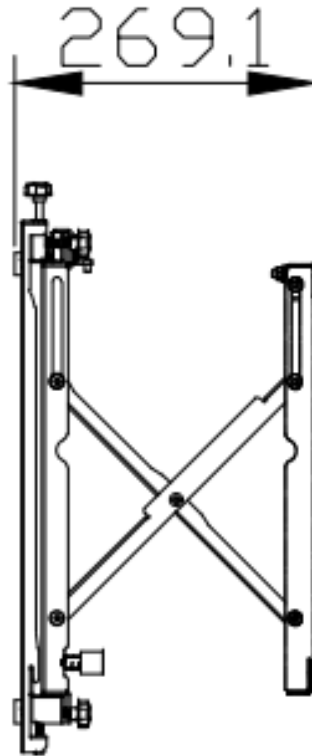


Digital Information Display Landscape Model Back, Mounting Screws in mm/ft

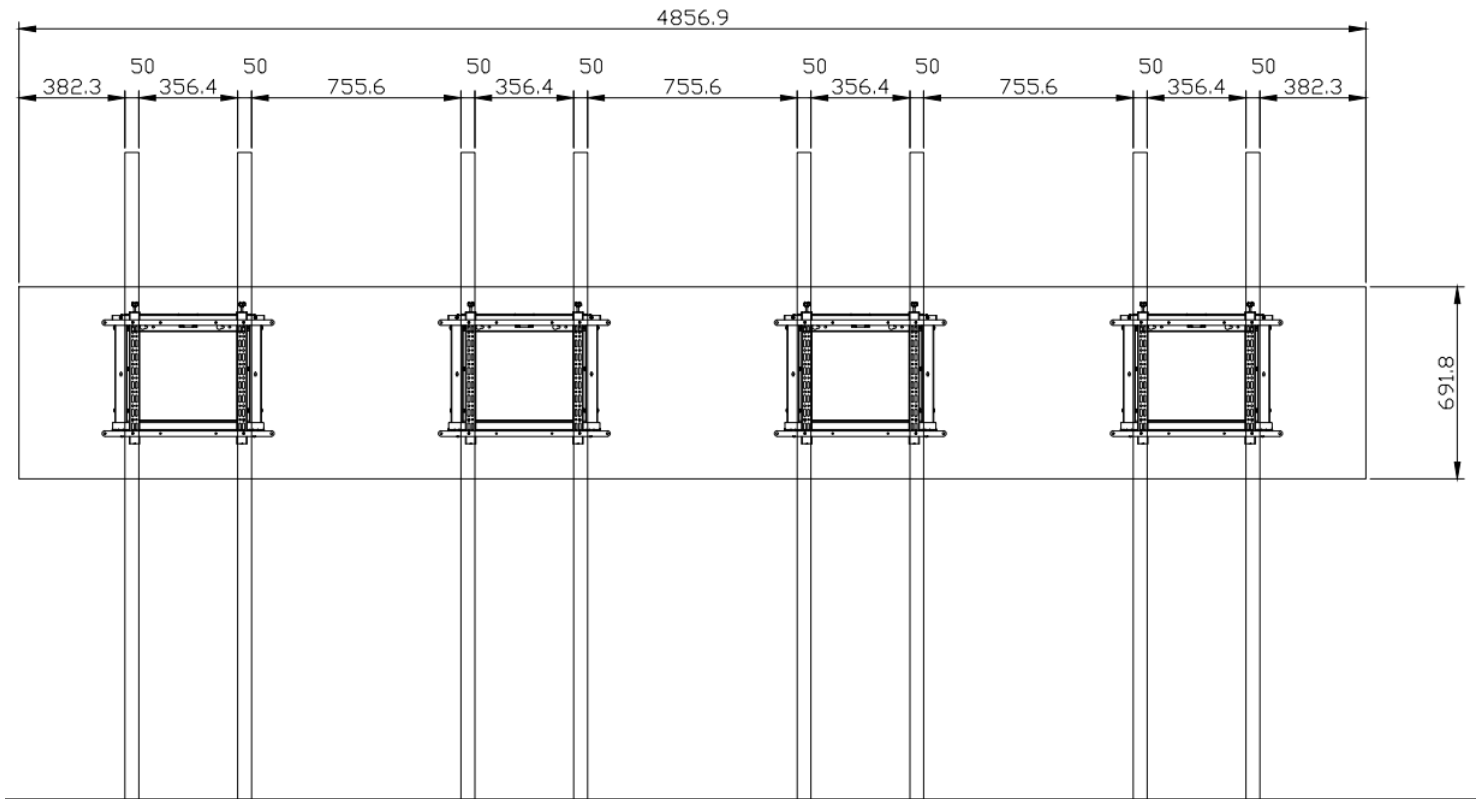


Digital Information Display Landscape Model, Wall Mount Dimensions, Front in mm

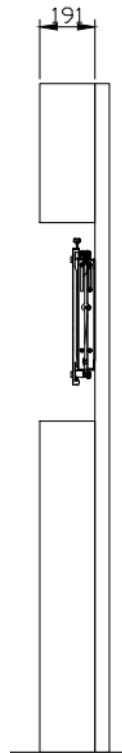
83.5



Digital Information Display Landscape Model, Wall Mount Dimensions,  
Side and Extended in mm

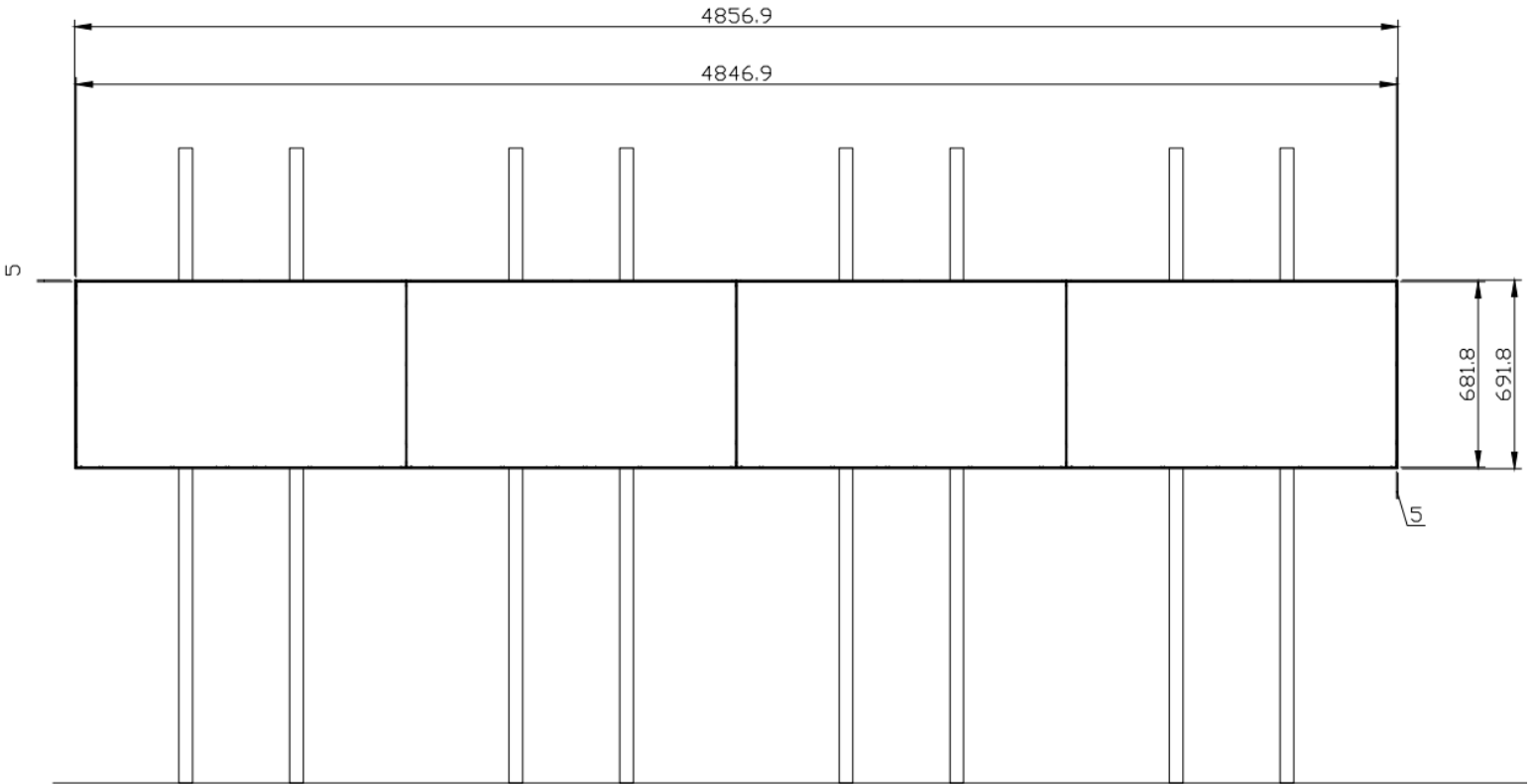


Digital Information Display Video Wall Concept, Dimensions in mm

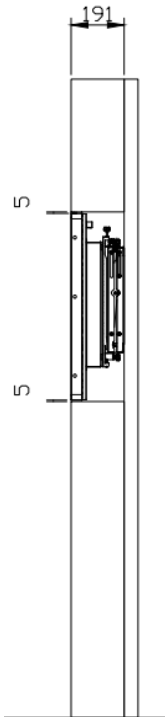


Digital Information Display Video Wall Concept, Side view

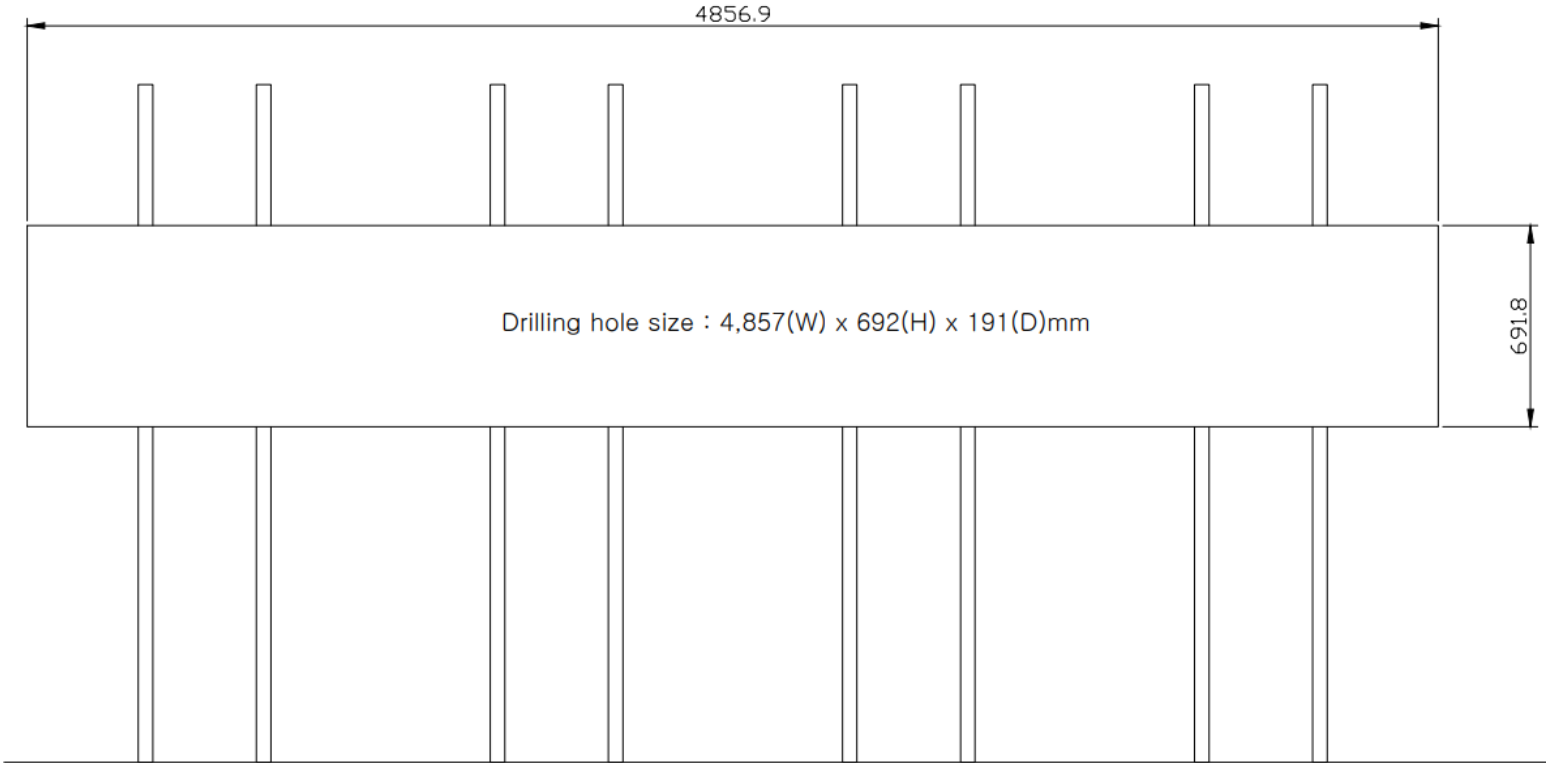




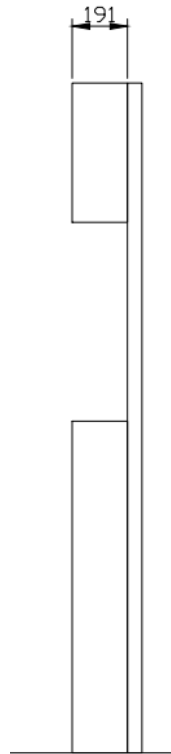
Digital Information Display Video Wall Concept, Dimensions in mm



Digital Information Display Video Wall Concept, Side view



Digital Information Display Exterior Enclosure Front view, Dimensions in mm



Digital Information Display Exterior Enclosure Side View, dimensions in mm

## Product Renderings



55" Digital Information Display, Front View



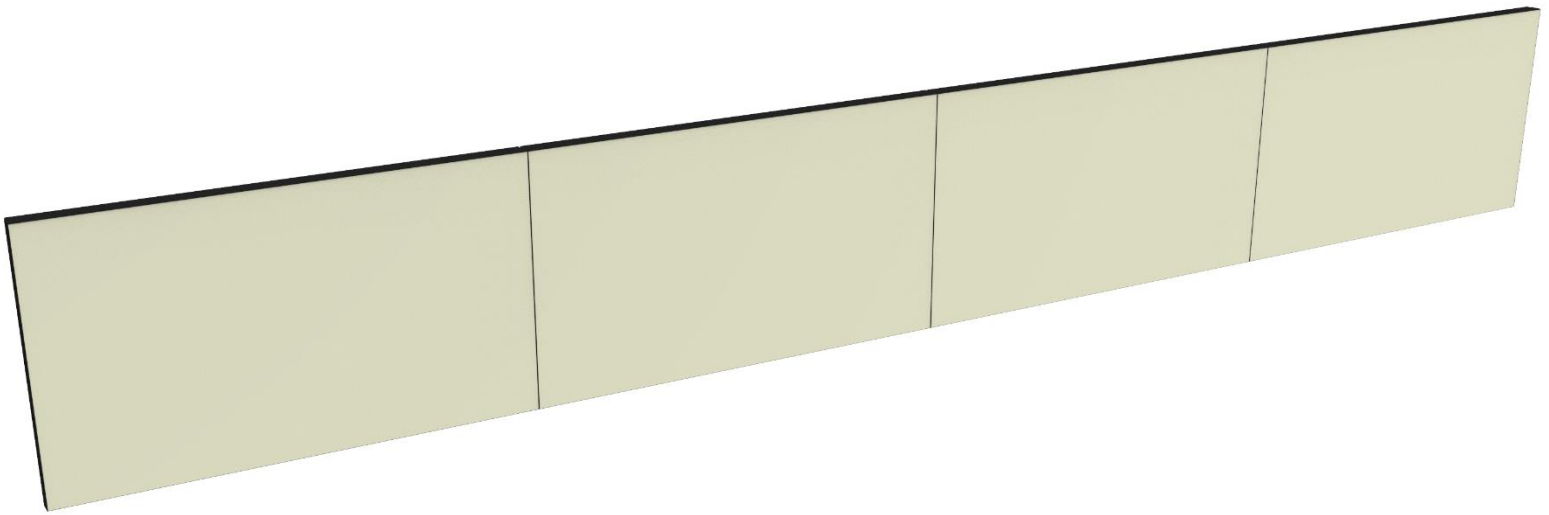
55" Digital Information Display, Rear View



55" Digital Information Display, Side View



Video Wall Mounting Bracket Concept Image



4x1 Video Wall Concept Image

## **NANOV DISPLAY INC.**

141 Flushing Ave Unit 705  
Brooklyn, NY 11205  
[www.nanov.info](http://www.nanov.info)

Tel: 877 409-8844 | Fax: 305 967-7475