



46" Real-Time Outdoor Single-Sided Full HD Tilted Public Information Display System (PIDS)



Model: NBASM-460LC-305-STL

- ✓ Tamper-proof, anti-reflection, tempered glass over 46" screen
- ✓ Sunlight readable, HVAC (Heater, Ventilation, Air Circulation)
- ✓ Resolution: 1920 x 1080, 2500cd
- ✓ UL48 Outdoor Sign Compliance: Dust proof, Rain proof
- ✓ Commercial, maintenance ready design, built-in IP camera mount
- ✓ IoT Driven Sensor Hardware Health Monitoring System – Audio, Temperature, Brightness, Internet Connectivity, Door Sensor
- ✓ Embedded Intel I-5 processor

Proprietary Notice

The information disclosed herein contains proprietary rights of Nanov Display, Inc. (Nanov) and is confidential. Neither this document nor the information disclosed herein shall be reproduced or transferred to other documents. Nor shall the information be used or disclosed to others for manufacturing or any other purposes except as specifically authorized in writing by Nanov.

Copyright© 2022 Nanov Display, Inc. All rights reserved.

Screen

Parameter	Specification
Video Orientation	Landscape
Screen Dimensions	1018 mm (W) x 573 mm (H) (40.1 inches x 22.6 inches)
Enclosure Dimensions	1200 mm (W) x 765 mm (H) x 194 mm (D) (47.2 inches x 30.1 inches x 7.6 inches)
Resolution	1920 x 1080 pixels
Color	16.7 million colors (8-bit)
Dimming	50-100% automatic dimming
Calibrated Intensity	2500 Cd/m ²
Color Temperature Modes	Warm / Medium / Cool
Refresh Rate	120 Hz
Contrast Ratio	4,000:1 (Typical);
Viewing Angle	178 degrees (side/side) 178 degrees (up/down)

Power, Computer & Electronics

Parameter	Specification	
Power Consumption	450 W (Maximum)	
Embedded Computer	CPU	Intel Core i-5 Processor
	RAM	DDR3 8GB
	Storage	126 GB SSD
	OS	Windows 10 IoT Enterprise
Inputs / Outputs	1) HDMI, DVI (720p/1080i/1080p) 2) Component/Composite 3) USB 2.0 4) PC Input via 15-pin 5) LAN (RJ45, CAT6) 6) Ethernet 7) RS-232C 8) LTE Modem	

Mechanical Specifications

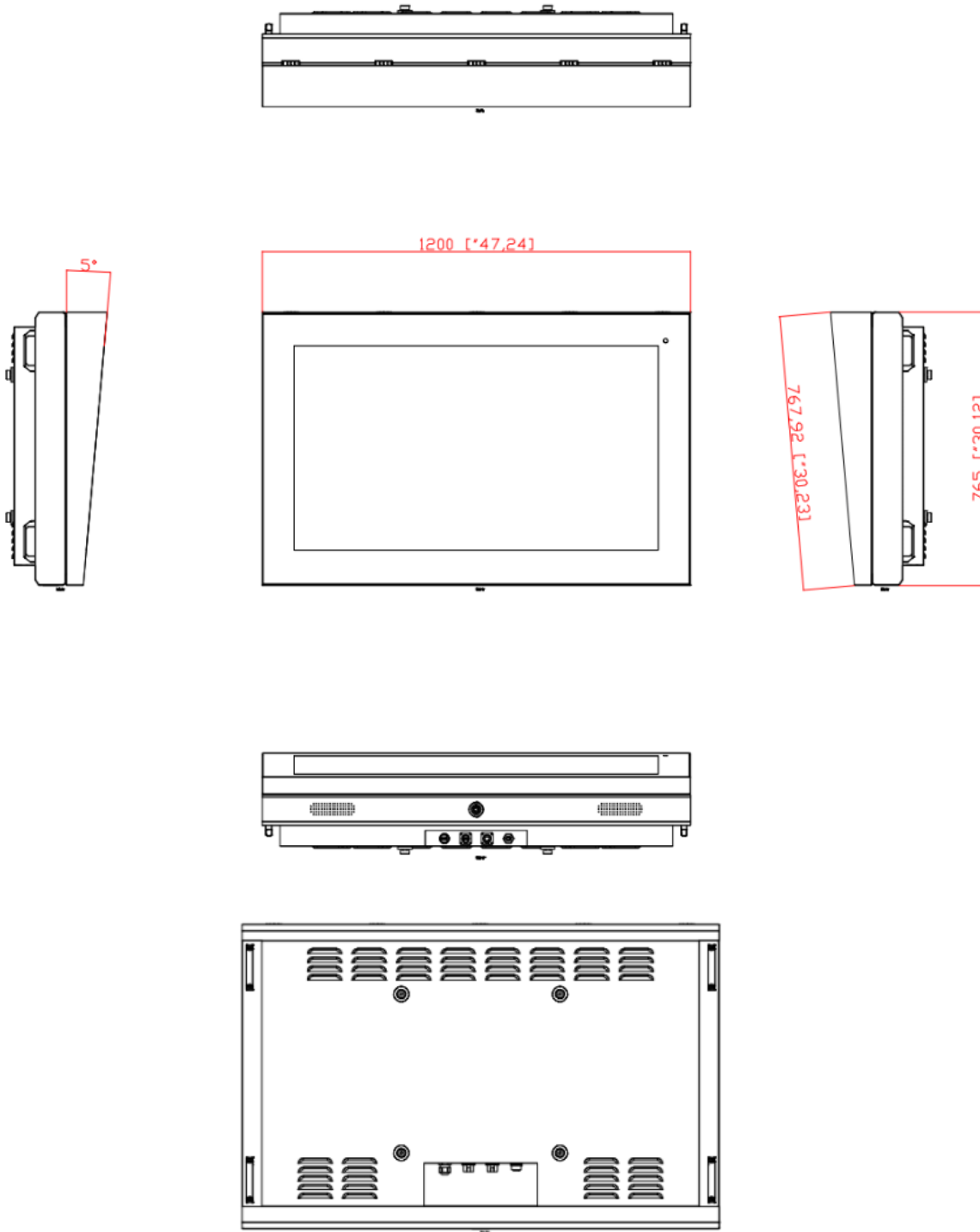
Parameter	Specification
Sealing	Gaskets and silicone seal around signs seams, openings, windows, and ventilation fans
Wiring	UL certified power supplies used. UL Code Rated Wiring Plan
Ambient Light Sensor	1) Sensors are positioned in same location as cameras above the monitors 2) Default setting for ambient light sensor is adjusted to minimum of one hour

System Level Design & Durability

Parameter	Specification
Rated Operating Conditions	Temperature: -30°C to +50°C Humidity: 20% to 80%
Heating, Ventilation & Air Circulation (HVAC)	Automated system for heating & cooling with active air inflow & exhaust <i>[patent pending]</i>
External Housing	Fully sealed, weather-proof enclosure, rated IP 65. Powder coated surface treatment
Enclosure sealing / weather proofing	Enclosure complies with UL 48 certification including outdoor rain test
Glass	Tempered glass with anti-reflection film and head reduction film, 1% max haze, anti-vandal
Certifications	FCC, UL 48, UL879 Sign Controller, UL60695, IK10
Warranty	36 Months
Mean Time Between Failure	50,000 hours
Electric Sign Controller Health Monitoring System [Model: NRMCB-300]	<p>Controller interface:</p> <ul style="list-style-type: none"> - Environmental control via IoT sensors <ul style="list-style-type: none"> • (2) Temperature sensors • (1) Ambience sensor • (1) Moisture sensor • (1) Pixel moving sensor to detect screen activity • (1) Door sensor for enhanced security - Sequential power booting program <ul style="list-style-type: none"> • Computer power reset • LCD panel reset • Heater and fans on/off

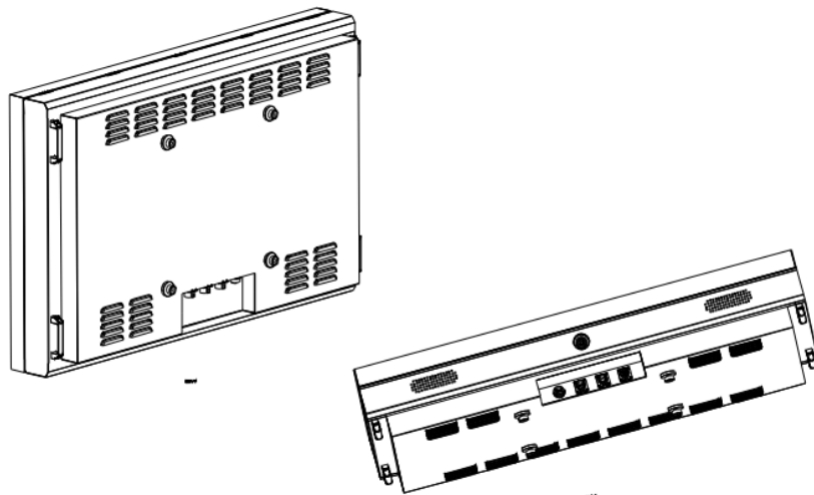
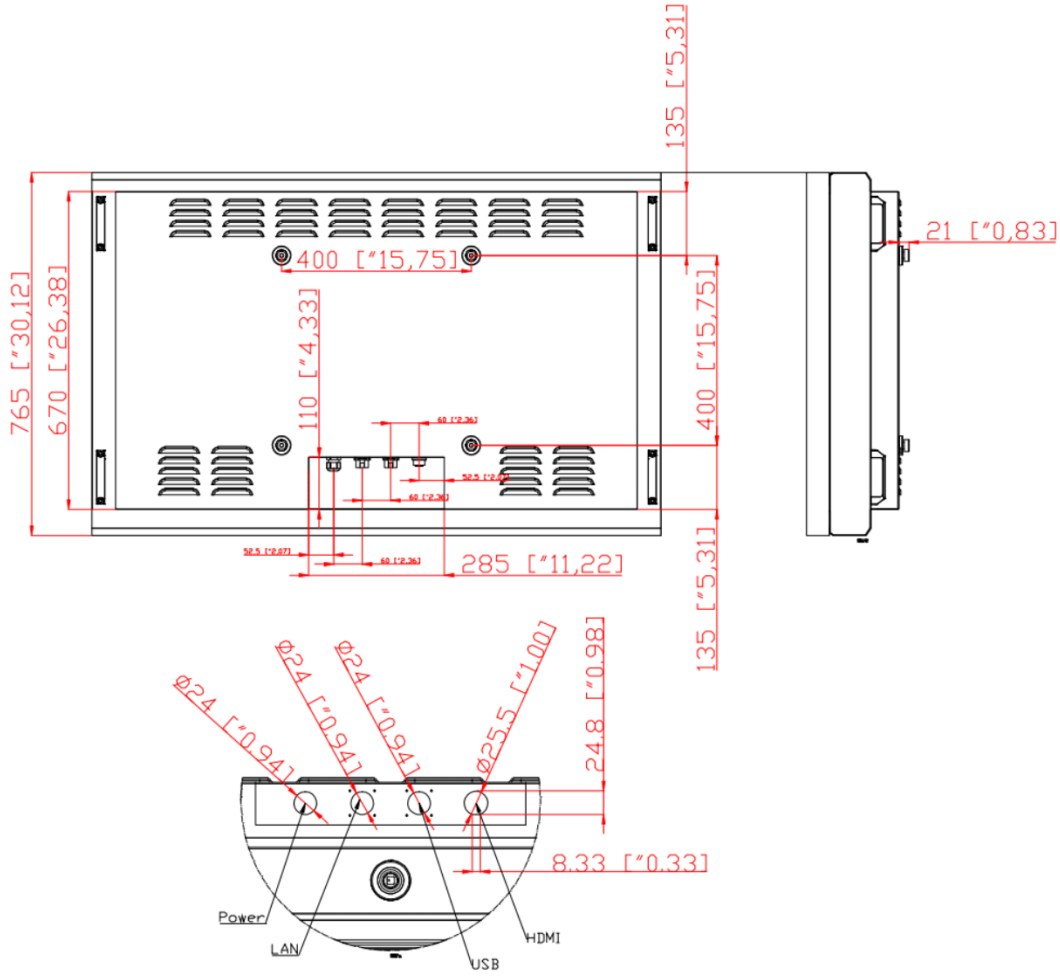
Physical Dimensions

Total System Weight: 60kg (132 lb.) per unit



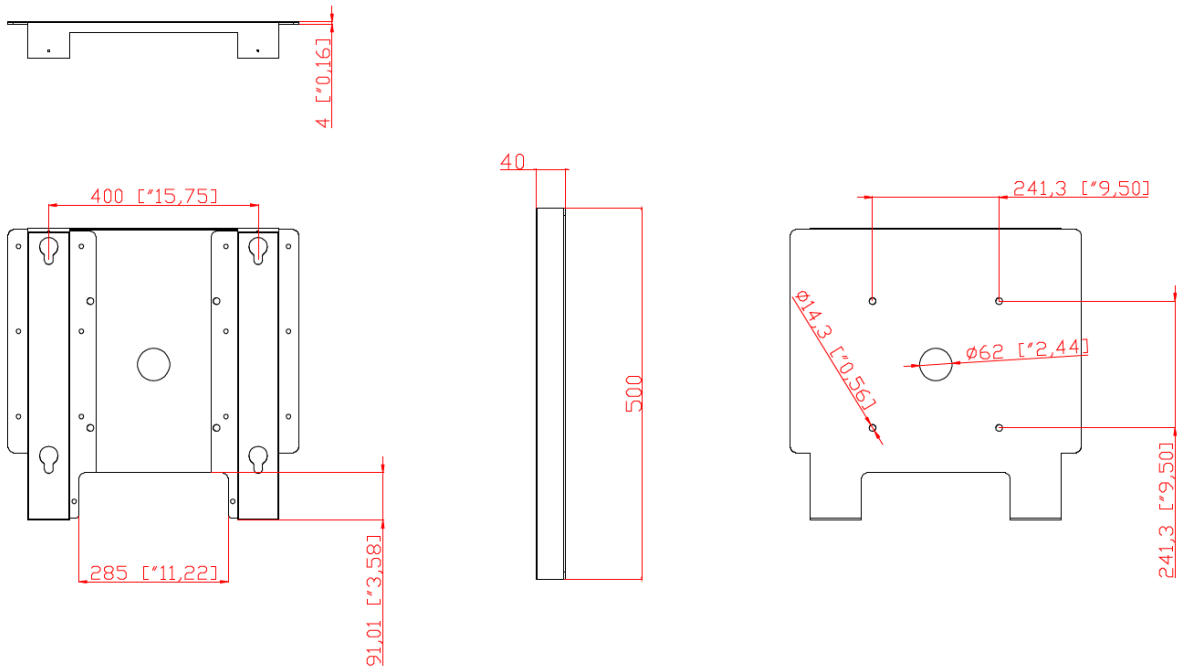
I/O Port Dimensions

Power, LAN, USB, and HDMI

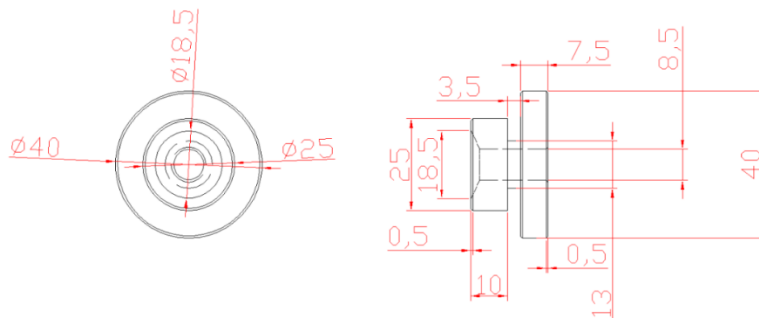


Optional Mount Bracket Information

Model: NBWMB-400x400-STL, 46" VESA 400mm x 400mm
(not included with sign)



Stainless Steel Standoffs (4)

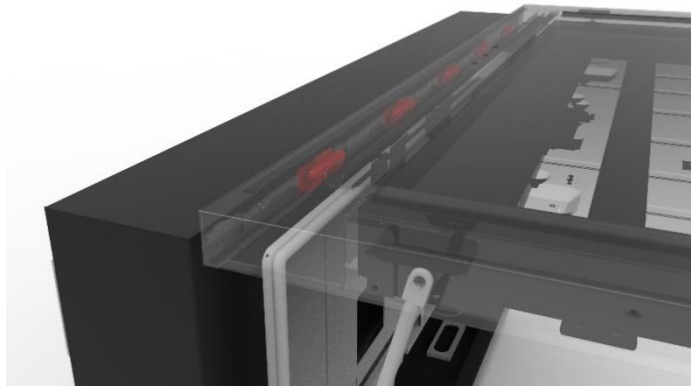


Product Renderings



Maintenance Door Concept

This Nanov Display product is designed with easy maintenance access in mind. You can swing open the enclosure door to access the monitor in no time at all. To access the electronic components directly, the door swings upwards by its top hinges and stays open thanks to gas struts with heavy-duty pneumatic springs on either side of the door.



Front opening mechanism = Easy maintenance

Nanov Sign Controller

General Description

The Nanov Sign Controller is a critical component of the LCD signs. The controller consists of two boards: the Main board and the Power board.

The hardware controlling capabilities are as follows:

- Brightness & environment sensors (auto brightness control)
- Temperature sensors (measures internal temperature for auto fan speed control)
- Power reset: Modem, Computer, Panel, Fan/Heaters
- Detects when a sign is non-operational via AD board signal
- Detects when a sign is not communicating via modem for auto ping/reset
- Alarm via email or text

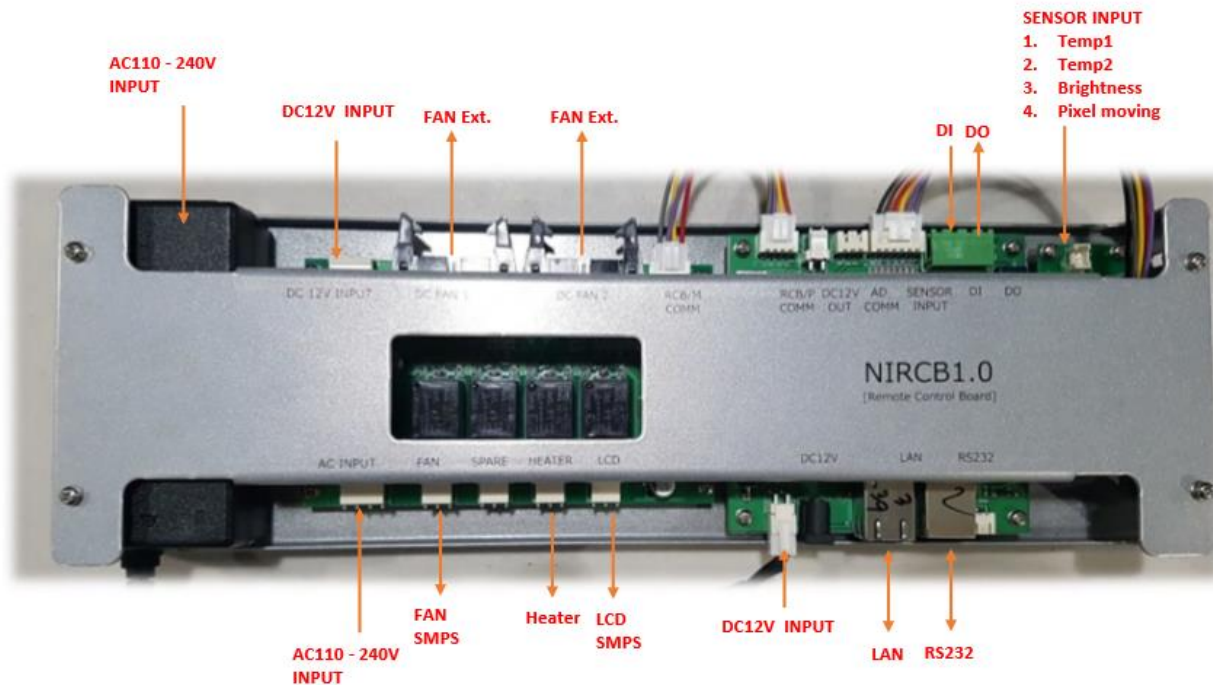


Fig. 1- NRMCB-300 Nanov Sign Controller

Remote Health Monitoring System Dashboard

Keywords

	Name	Type	Group	IP	MAC	Status
<input type="checkbox"/>	SouthGarland-11-025-1946-132A	G3	Deployed	192.168.32.3	70:B3:D5:2D:04:D4	ON-LINE
<input type="checkbox"/>	MLK-12-007-1945-063A-F	G3	Deployed	192.168.32.3	70:B3:D5:2D:04:C9	ON-LINE
<input type="checkbox"/>	MLK-12-007-1945-063B-F	G3	Deployed	192.168.32.4	70:B3:D5:2D:04:CA	ON-LINE
<input type="checkbox"/>	LakeRayHubbard-09-033-1945-075A	G3	Deployed	192.168.32.3	70:B3:D5:2D:05:12	ON-LINE
<input type="checkbox"/>	LakeRayHubbard-09-033-1945-075B	G3	Deployed	192.168.32.4	70:B3:D5:2D:05:15	ON-LINE
<input type="checkbox"/>	MLK-12-006-1945-066A-F	G3	Deployed	192.168.32.3	70:B3:D5:2D:05:58	ON-LINE
<input type="checkbox"/>	MLK-12-006-1945-066B-F	G3	Deployed	192.168.32.4	70:B3:D5:2D:05:66	ON-LINE
<input type="checkbox"/>	SouthGarland-11-023-1946-097A	G3	Deployed	192.168.32.3	70:B3:D5:2D:05:72	ON-LINE
<input type="checkbox"/>	SouthGarland-11-023-1946-097B	G3	Deployed	192.168.32.4	70:B3:D5:2D:05:73	ON-LINE
<input type="checkbox"/>	JackHatchell-08-019-1946-089B	G3	Deployed	192.168.32.4	70:B3:D5:2D:05:78	ON-LINE
<input type="checkbox"/>	JackHatchell-08-019-1946-089A	G3	Deployed	192.168.32.3	70:B3:D5:2D:05:74	ON-LINE
<input type="checkbox"/>	JackHatchell-08-020-1946-084A	G3	Deployed	192.168.32.3	70:B3:D5:2D:05:84	ON-LINE
<input type="checkbox"/>	JackHatchell-08-020-1946-084B	G3	Deployed	192.168.32.4	70:B3:D5:2D:05:82	ON-LINE
<input type="checkbox"/>	SouthGarland-11-024-1946-082A	G3	Deployed	192.168.32.3	70:B3:D5:2D:05:79	ON-LINE

Refresh

LCD Signs Control

Home / Equipment

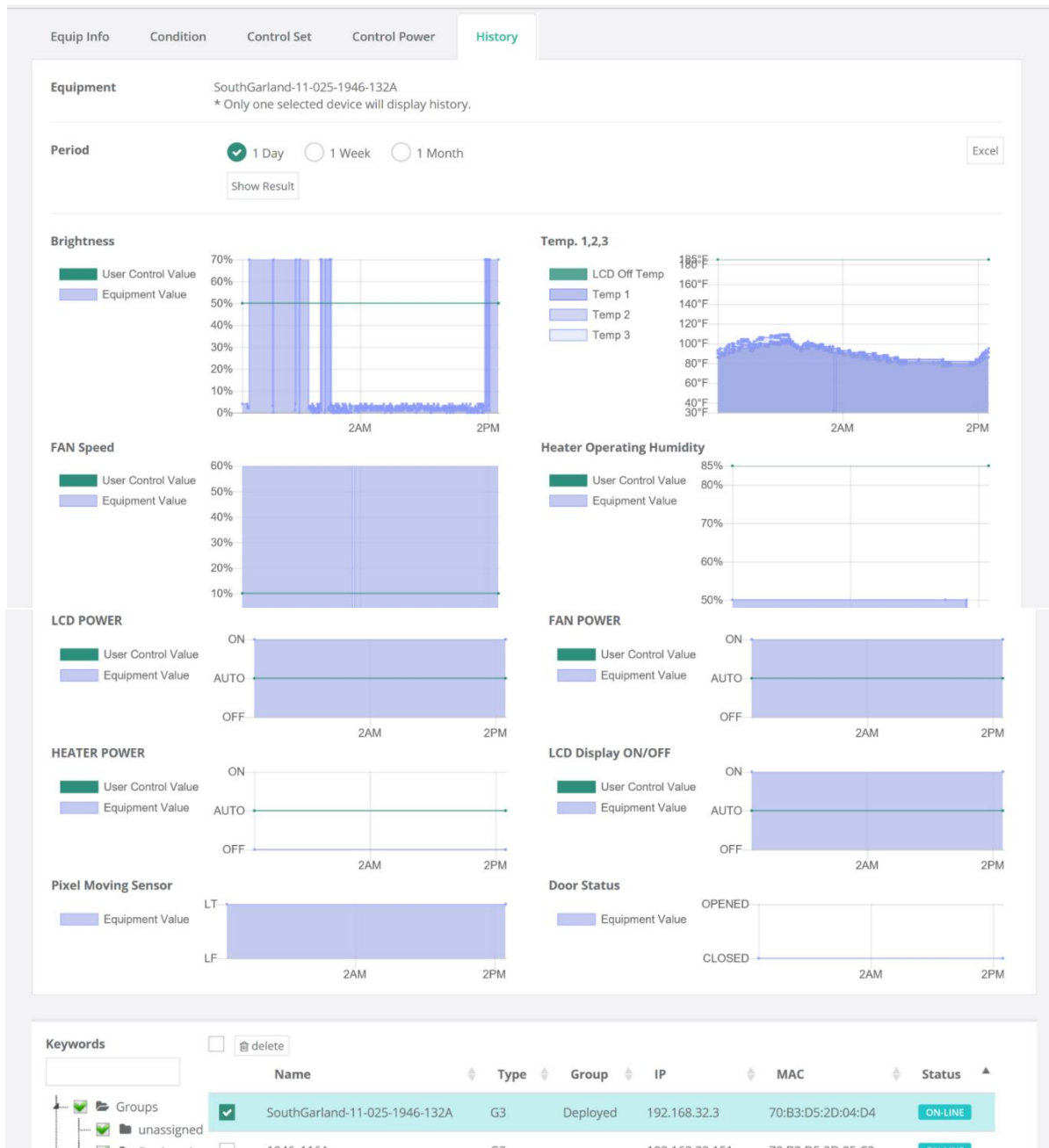
Equip Info Condition **Control Set** Control Power History

Modified setting (Follow the control settings for the default setting or you can modify for each equipment.)

Equipment Value User Control Value

Operation Mode	Auto	Auto	LED R	255	
LCD Display ON/OFF	ON	ON	LED G	255	
Brightness	70%		LED B	0	
Volume	50%				
Input Source	HDMI	HDMI			

Archive History



NANOV DISPLAY INC.

141 Flushing Ave Unit 705
Brooklyn, NY 11205

www.nanov.info

Tel: 877 408-9944 Fax: 866 431-7242

Copyright © 2022 Nanov Display Inc. All rights reserved.